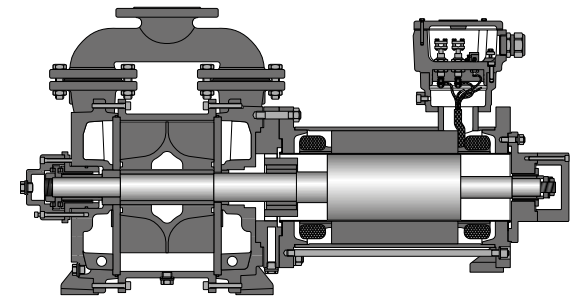
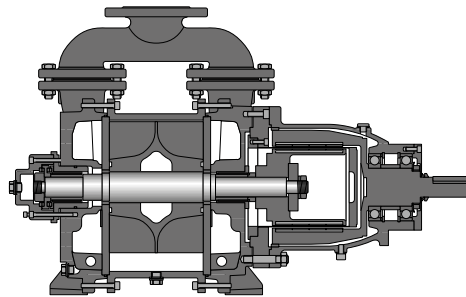
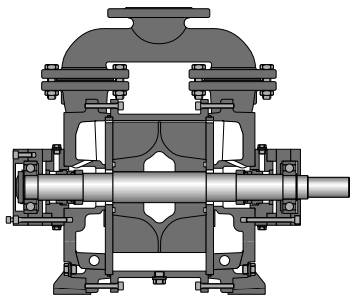


PRODUCT INFORMATION

LIQUID RING VACUUM PUMP AND LIQUID RING COMPRESSOR

HERMETIC *E-Line*



ZART®

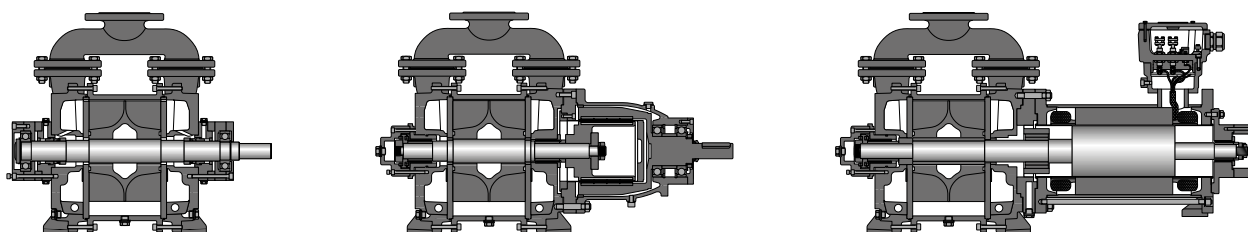
simply best balance

Content

General information	3	Characteristic maps	12
Function	6	50 Hz	12
Functional principle	7	60 Hz	13
Design options	8	Technical data	14
Mechanical seal	8	Material	14
Magnetic coupling	9	Contact	15
Canned motor	10		
Examples for vacuum systems	11		

Content

General information
Function
Functional principle
Design options
Characteristic maps
Technical data
Contact



Information

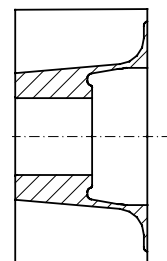
General

LEDERLE-HERMETIC has been producing and successfully marketing both vacuum pumps and compressors to the whole world for decades. Operation, design and application have been constantly optimised and adapted to our customers' requirements. The pumps are available in conventional sealed and hermetically sealed units. Magnetic coupled or canned motor design guarantees operation without leakage and minimal maintenance. The compact design enables simple, fast and economical maintenance.

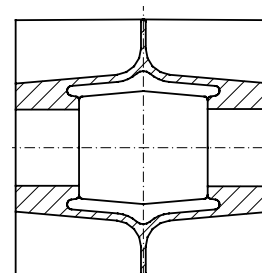
Design

Liquid ring vacuum pumps are positive displacement compressors, which are equipped with single or double suction impellers, according to size. Liquid ring vacuum pumps do not need lubricants; there are no parts in direct contact inside the hydraulics. Therefore these pumps feature low noise operation as well as simple and robust design.

Single suction design



Double suction design



Content

General information

Function

Functional principle

Design options

Characteristic maps

Technical data

Contact



Application range

Capacity

Suction capacity is depending on rotational speed. Pump capacities up to 3000 m³/h are available.

Temperature

Depending on the liquid and materials of construction a maximum liquid operating temperature of 100 °C is possible. Special designs for higher temperatures are available on request.

Pressure

Depending on the design, liquid ring vacuum pumps are available for suction pressures down to approx. 30 mbar (abs) and discharge pressures up to 2500 mbar (abs), in special applications up to 6 bar possible.

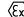
Connections

Nominal size is related to pump size. The range is for DN 40 to DN 100. Special executions, e.g. dimensions according to ANSI are available on request.

Shaft sealing

All sizes of the LVP range can be equipped with various methods of shaft sealing. Available are single mechanical seals and double mechanical seals as well as hermetically sealed magnetic couplings and canned motors. In hermetically sealed pumps, the shaft seal is replaced by a magnetic coupling or a canned motor. Therefore wear at seals is eliminated. The permanent magnetic coupling or canned motor transmits the torque between driver and pump through the containment shell and thus eliminates the shaft seal.

Environmental safety

Liquid ring vacuum pumps and compressors are suitable for use on hazardous gases. Certifications for mechanical explosion protection according to European standard 94/9/EC (ATEX)  II 2 G c T4 to T6 are available. Certification for Category 1 is also available. The pump seals are also certified by TÜV Cert to comply with "TA-Luft".

Quality

HERMETIC liquid ring vacuum pumps and compressors are state of the art and quality is compliant to design standards e.g. ISO, VDMA, DIN and European standards. Our quality manual according to ISO 9001 supports the manufacturing process.

Content

General information

Function

Functional principle

Design options

Characteristic maps

Technical data

Contact



Application range

Performance range

Suction capacity [m³/h]: up to 3000

Discharge pressure [mbar (abs)]: up to 2500*

Temperature [°C]: -20 to +100*

Pressure rating [PN]: 10*

Test pressure [bar]: 16*

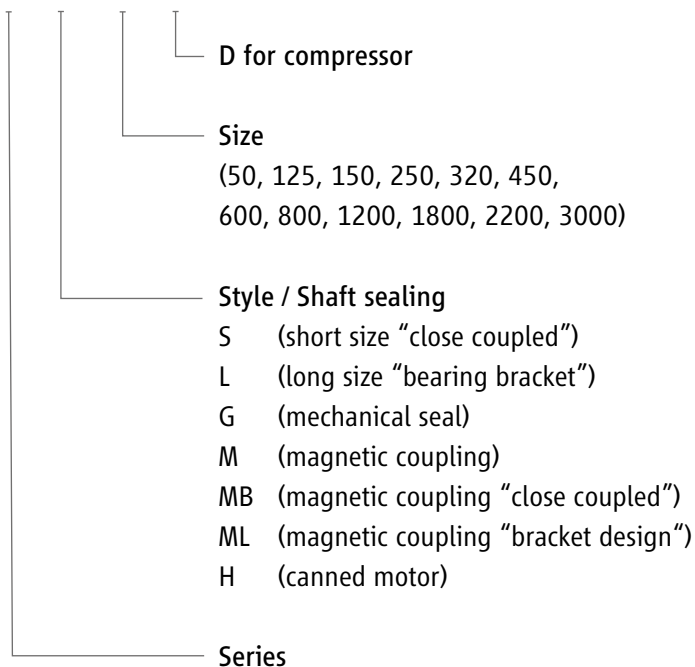
* Special design and operating conditions allow higher temperatures and pressures (consult factory).

Sizes

Mechanical seal execution			Magnetic coupled execution		Canned motor execution	
LVPS	LVPL	LVPG	LVPM		LVPH	
125	125	600	50	600	50	600
150	150	800	125	800	125	800
250	250	1200	150	1200	150	1200
	320	1800	250	1800	250	1800
	450	2200	320	2200	320	
		3000	450	3000	450	

Pump and hydraulic denomination

LVP / M / 320 / _



Content

General information

Function

Functional principle

Design options

Characteristic maps

Technical data

Contact



Function

Function

The vacuum pumps and compressors are rotary positive displacement pumps that cover a wide range of applications. The applications are in chemical, petrochemical, pharmaceutical, paint industries as well as general industries.

The internals of the liquid ring vacuum pump or compressor are partially filled with liquid in operation. Casing and port plates form the internals, where the eccentrically mounted rotating impeller forms a liquid ring. The liquid ring forms a cell between the impeller blades, that expands during rotation and thus draws the gas through the suction port. As the impeller rotates further, these cells are getting smaller and consequently compressing the gas through the discharge port. Together with the gas, a part of the liquid will be expelled through the discharge port that is separated from the gas in the separator.

By means of a flexible discharge port in the port plate, the liquid ring vacuum pump operates with maximum efficiency in the whole range of suction pressure. The port opening adapts to the actual compression ratio, so that overcompression will be avoided.

The major application of liquid ring vacuum pumps and compressors is in the handling of wet gas and vapours that will condense partially during compression. Because compression is near isothermal, these machines are specifically suitable for the handling of explosive or polymerising gases or vapours.

The liquid ring vacuum pumps can reach a maximum vacuum of about 30 mbar (abs). Lower suction pressures can be achieved in combination with gas or steam ejectors, or roots booster pumps.

Content

General information

Function

Functional principle

Design options

Characteristic maps

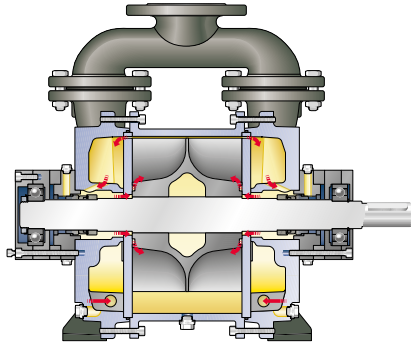
Technical data

Contact

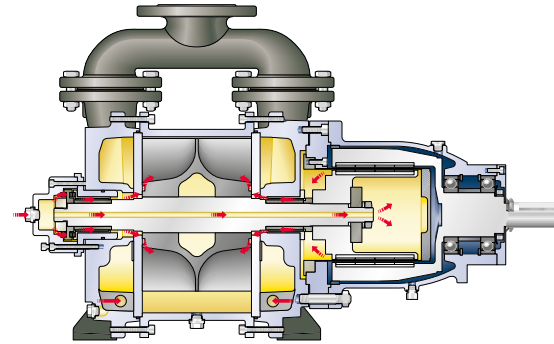


Functional principle

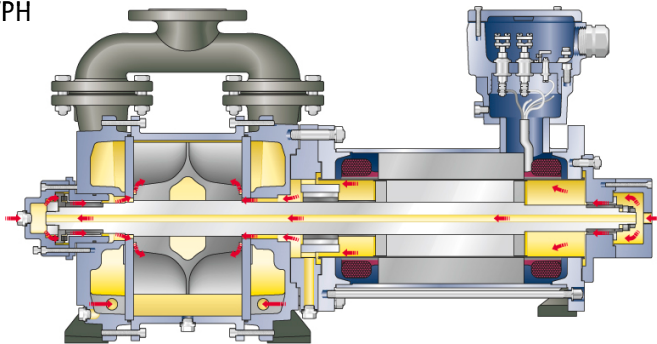
LVPG



LVPM



LVPH



Content

General information

Function

Functional principle

Design options

Characteristic maps

Technical data

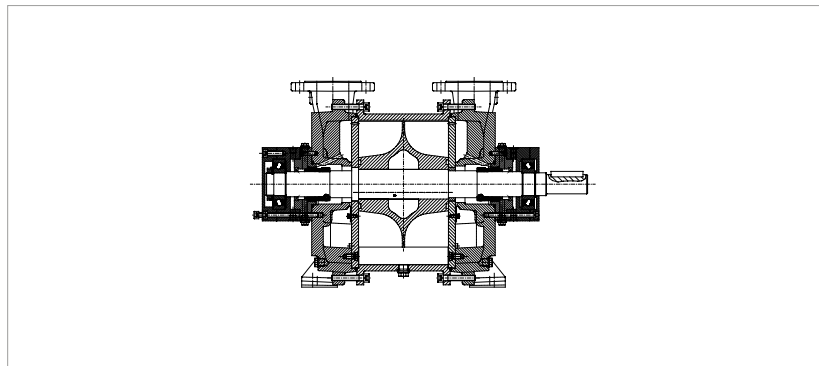
Contact



Mechanical seal

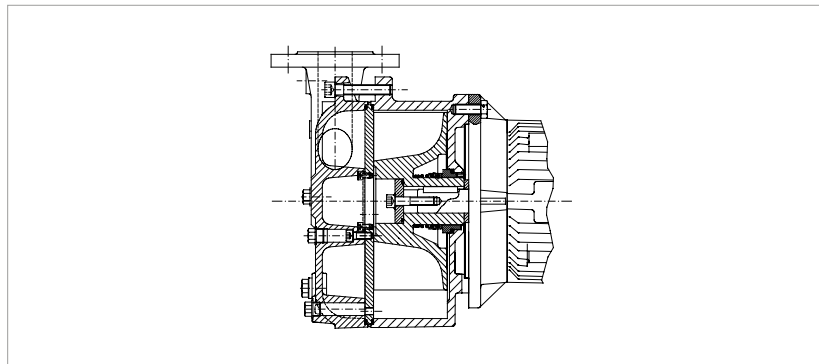
LVPG

Vacuum pump with single mechanical seal, external roller bearings and double suction impeller.



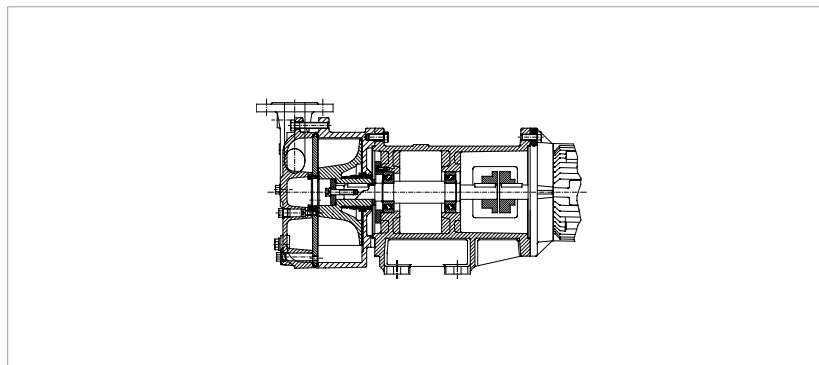
LVPS

Vacuum pump in short shaft size design, with single mechanical seal and single ended impeller with seat on motor shaft.



LVPL

Vacuum pump in bearing bracket design (long shaft size), with single mechanical seal and single ended impeller.



Content

General information

Function

Functional principle

Design options

Characteristic maps

Technical data

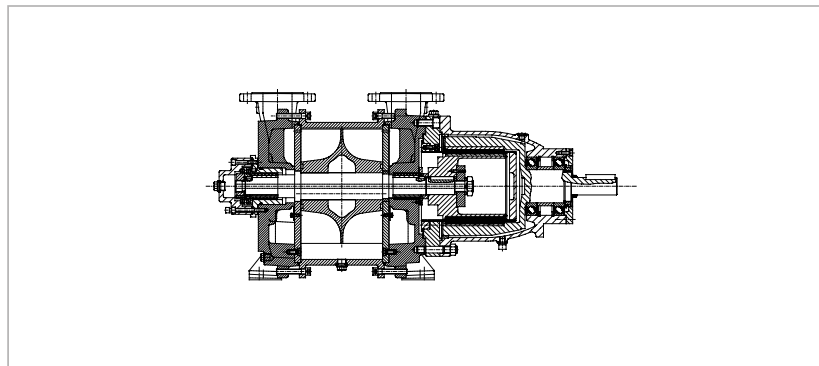
Contact



Magnetic coupling

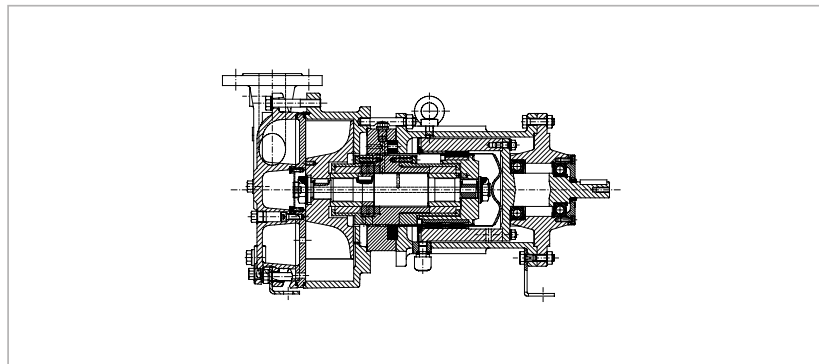
LVPM

Vacuum pump with magnetic coupling, product lubricated slide bearings and double ended impeller.



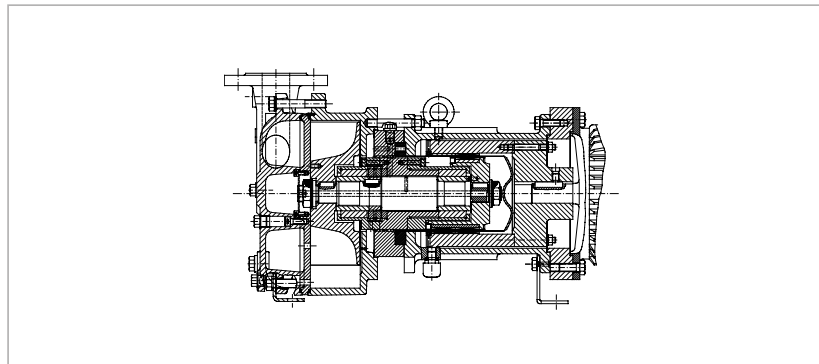
LVFML

Vacuum pump in bearing bracket design with magnetic coupling, product lubricated slide bearings and single ended impeller.



LVFMB

Vacuum pump in modular construction with magnetic coupling, product lubricated slide bearings and single ended impeller.



Content

General information

Function

Functional principle

Design options

Characteristic maps

Technical data

Contact

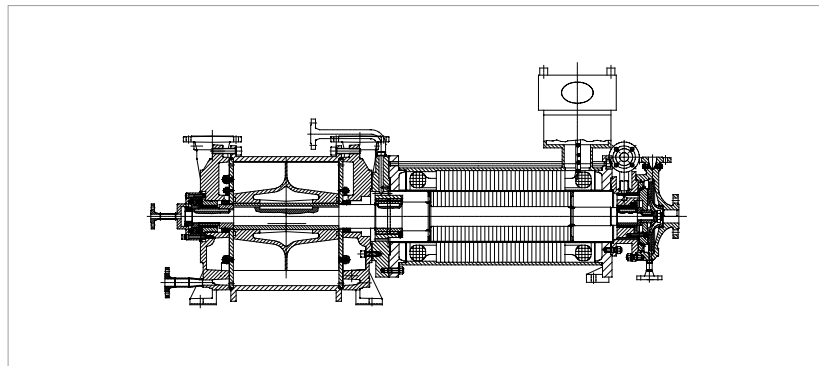


Canned motor

LVPH

Vacuum pump with canned motor and product lubricated slide bearings and double ended impeller.

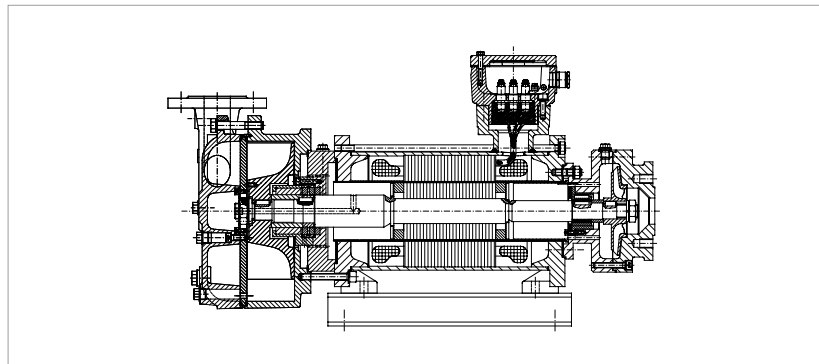
Special feature: flanged auxiliary pump



LVPH

Vacuum pump with canned motor and product lubricated slide bearings and single ended impeller.

Special feature: flanged auxiliary pump



Content

General information

Function

Functional principle

Design options

Characteristic maps

Technical data

Contact



Examples for vacuum systems

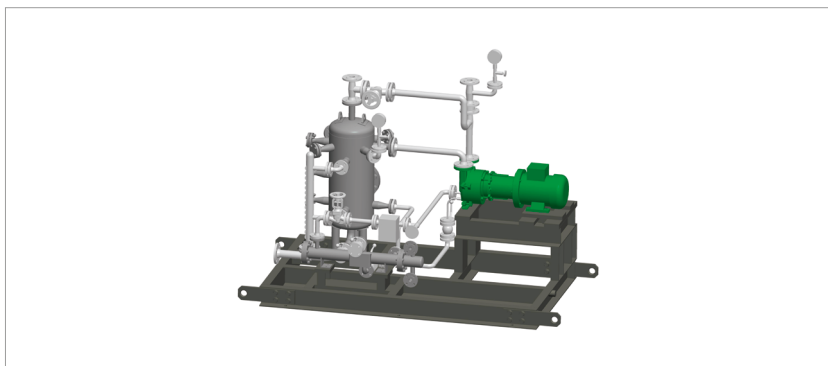


Vacuum package unit type ALVPM 800

Liquid ring vacuum pump type LVPM 800
(with magnetic coupling, double-flow)

- For suction of a mixture of: air, nitrogen, epichlorohydrin and water vapour
- Suction temperature approx. 20 °C
- Pumping capacity 280 m³/h at 26 mbar
- Compression to 1113 mbar

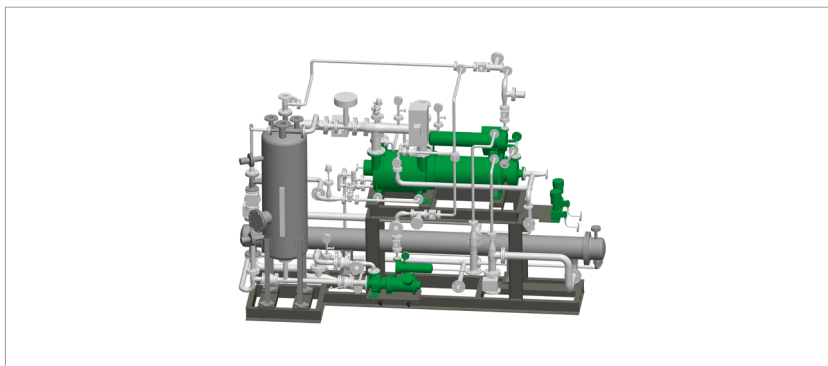
Special features: vacuum package unit with connected gas ejector



Vacuum package unit type ALVPMB 150

Liquid ring vacuum pump type LVPMB 150
(with magnetic coupling, close coupled, single-flow)

- For suction of a mixture of: air, nitrogen, epichlorohydrin and water vapour
- Suction temperature approx. 25 °C
- Pumping capacity 81 m³/h at 106 mbar
- Compression to 1113 mbar



Vacuum package unit type ALBPH 1800

Liquid ring vacuum pump type LVPH 1800
(with canned motor, double-flow)

- For suction of nitrogen
- Suction temperature approx. 40 to 45 °C
- Pumping capacity 1007 m³/h at 30 mbar
- Compression to 1113 to 1120 mbar

Special features: vacuum package unit with integrated canned motor pump type CNK and 2 metering pumps

Content

General information

Function

Functional principle

Design options

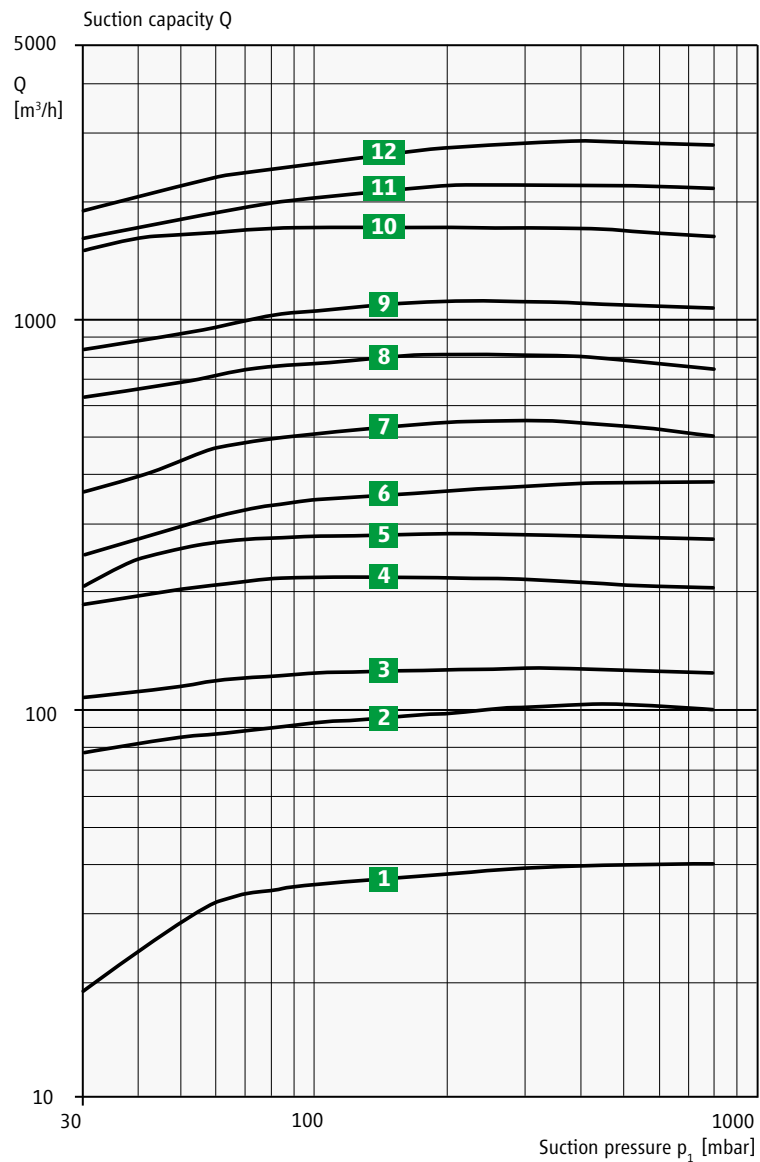
Characteristic maps

Technical data

Contact



50 Hz



Denomination to the performance curve

- 1 LVP 50/2850 min⁻¹
- 2 LVP 125/1450 min⁻¹
- 3 LVP 150/1450 min⁻¹
- 4 LVP 250/1450 min⁻¹
- 5 LVP 320/1450 min⁻¹
- 6 LVP 450/1450 min⁻¹
- 7 LVP 600/1450 min⁻¹
- 8 LVP 800/1450 min⁻¹
- 9 LVP 1200/970 min⁻¹
- 10 LVP 1800/970 min⁻¹
- 11 LVP 2200/740 min⁻¹
- 12 LVP 3000/740 min⁻¹

Content

General information

Function

Functional principle

Design options

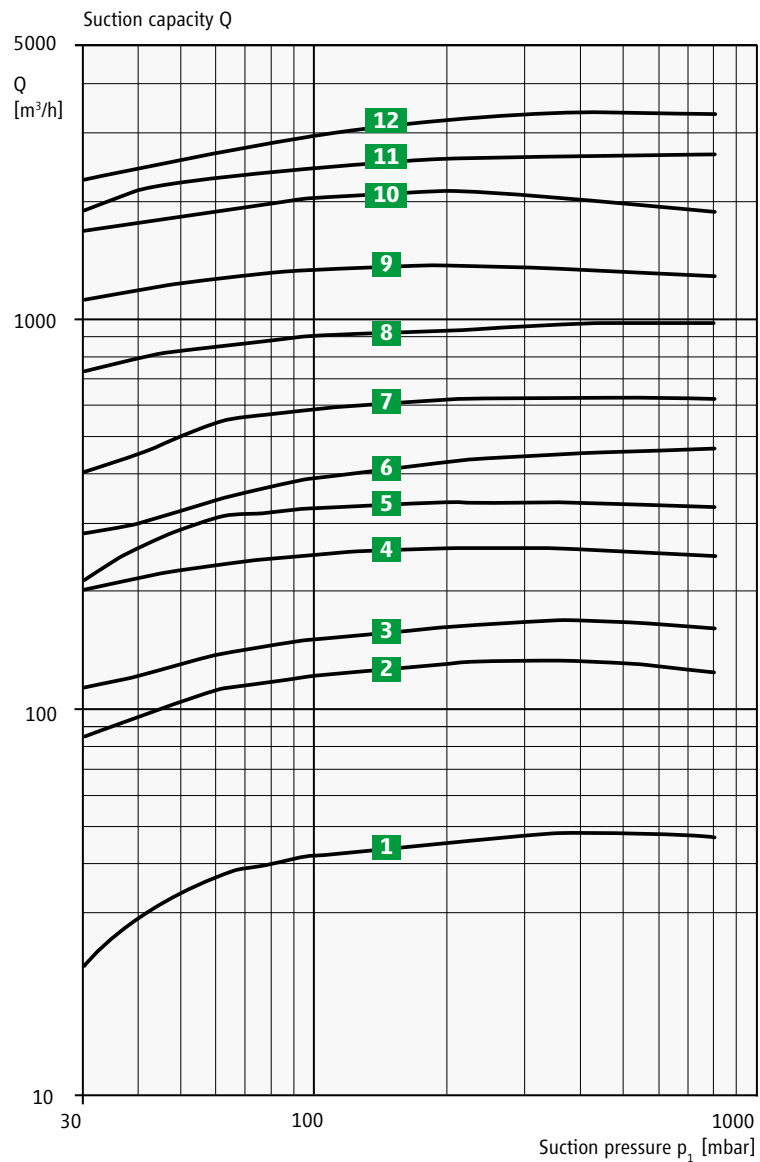
Characteristic maps

Technical data

Contact



60 Hz



Denomination to the performance curve

- 1 LVP 50/3420 min⁻¹
- 2 LVP 125/1750 min⁻¹
- 3 LVP 150/1750 min⁻¹
- 4 LVP 250/1750 min⁻¹
- 5 LVP 320/1750 min⁻¹
- 6 LVP 450/1750 min⁻¹
- 7 LVP 600/1750 min⁻¹
- 8 LVP 800/1750 min⁻¹
- 9 LVP 1200/1170 min⁻¹
- 10 LVP 1800/1170 min⁻¹
- 11 LVP 2200/880 min⁻¹
- 12 LVP 3000/880 min⁻¹

Content

General information

Function

Functional principle

Design options

Characteristic maps

Technical data

Contact



Material

Parts	Steel / Cast steel	Stainless steel	Hastelloy	Titanium
End shield	GS-C25 1.0619	CrNiSt 1.4408	Hastelloy	Titanium
Port plate	St 52-3 1.0570	CrNiSt 1.4571	Hastelloy	Titanium
Casing	GS-C25 1.0619	CrNiSt 1.4408	Hastelloy	Titanium
Impeller	GS-C25 1.0619	CrNiSt 1.4408	Hastelloy	Titanium
Shaft	St 52-3 1.0570	CrNiSt 1.4571 / 1.4462	Hastelloy	Titanium
Bearing bracket	GGG 40	GGG 40	GGG 40	GGG 40
Mechanical seal	CrNiSt / Carbon / Viton	CrNiSt / Carbon / Viton	acc. to specification	acc. to specification
Magnetic coupling	CrNiSt / Hastelloy	CrNiSt / Hastelloy	Hastelloy	Titanium
Gaskets	AFM 34	AFM 34	acc. to specification	acc. to specification
O-rings	FEP / Viton	FEP / Viton	acc. to specification	acc. to specification
Slide bearings	SIC, CD6N / SIC30	SIC, CD6N / SIC30	SIC, CD6N / SIC30	SIC, CD6N / SIC30

Content

General information

Function

Functional principle

Design options

Characteristic maps

Technical data

Contact



PRODUCT INFORMATION

Contact

sales-support@hermetic-pumpen.com

www.hermetic-pumpen.com

YouTube | LinkedIn | Expert tool

Content

General information

Function

Functional principle

Design options

Characteristic maps

Technical data

Contact

